

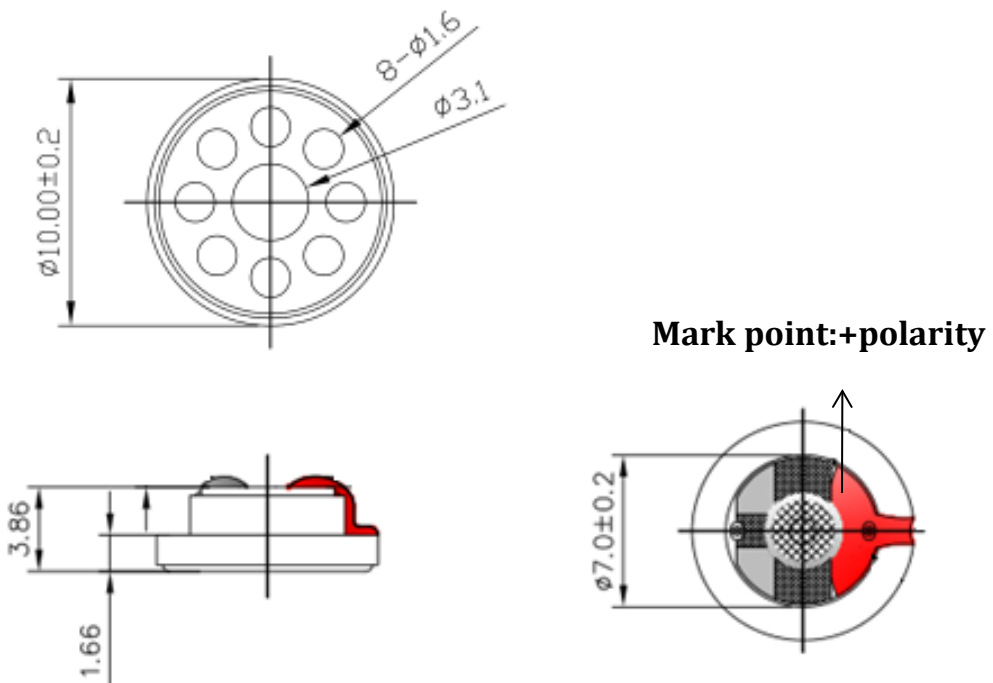
Y100038-032-S01

Advantages:

- Small size, high sensitivity.
- Can be used in Earphone.

Mechanical data:

- Dimensions:



Electrical properties:

- Isolation: The case will be electrically isolated from internal coil
- DCR and impedance:

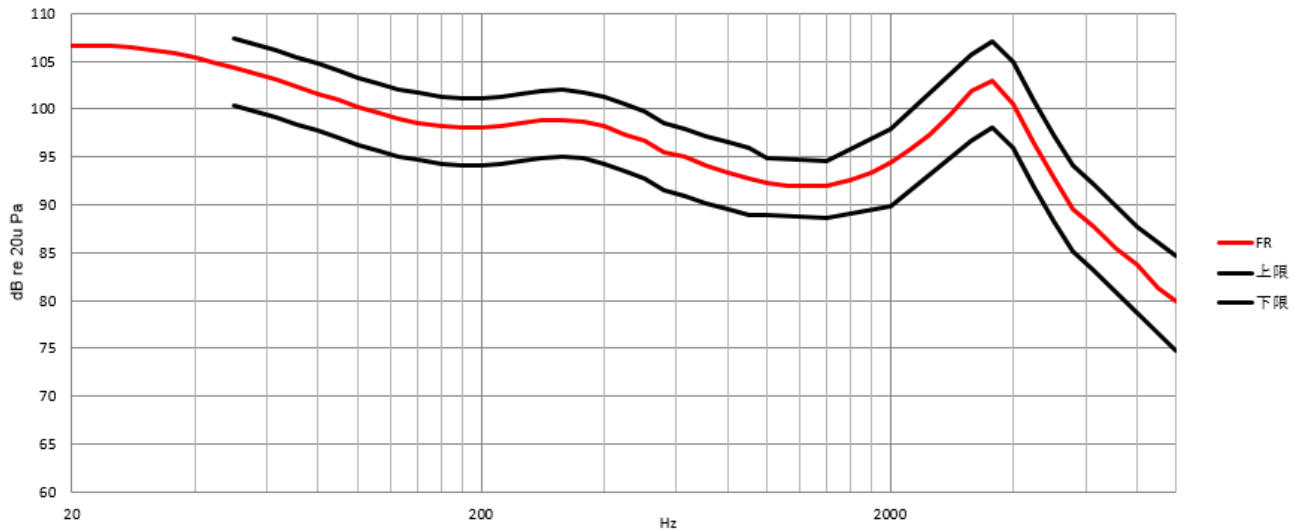
Item	specification
DC resistance	$32\Omega \pm 10\%$

Y100038-032-S01

Acoustic specification:

1, Test condition

- 1.1 Test voltage: DC 179mVrms
- 1.2 Test fixture: IEC318Ear
- 1.3 Source requirements: source impedance <1ohm.



Follow golden sample

Frequency (Hz)	50	100	900	1000	1400	2000	3150	5000	8000	10000
Upper (dB)	3.5	3.5	3.5	3	3	4	4.5	4.5	4.5	4.5
Frequency (Hz)	50	100	180	355	710	1000	1250	1600	2000	10000
Lower (dB)	-3.5	-3.5	-3.5	-3	-3	-4	-4	-4.5	-4.5	-4.5

Levels (1kHz Sensitivity)

Levels	A	B	C	Due to machine and test deviation, two adjacent levels are allowed to jump, with a maximum of 1dB
1kHz Sensitivity (dB)	96~94	94~92	92~90	

2, Distortion specification:

Frequency (Hz)	50	10000
Upper (%)	3	3

Y100038-032-S01

Storage and operating requirements:

- Follow below table:

Item	Temperature (°C)	Humidity (%RH)	barometric pressure (hPa)
Storage	-40 ~ 63	10 ~ 60	500 ~ 1060
Operating/test	15 ~ 30	45 ~ 85	860 ~ 1060
Judgment	18 ~ 22	60 ~ 70	860 ~ 1060

Website: www.china-armature.com

Office Tel: (+86) 0519-81882133

Mail box: sales@china-armature.com

Address: No.7 Lanxiang Road economic development zone
Wujin district Changzhou City China