

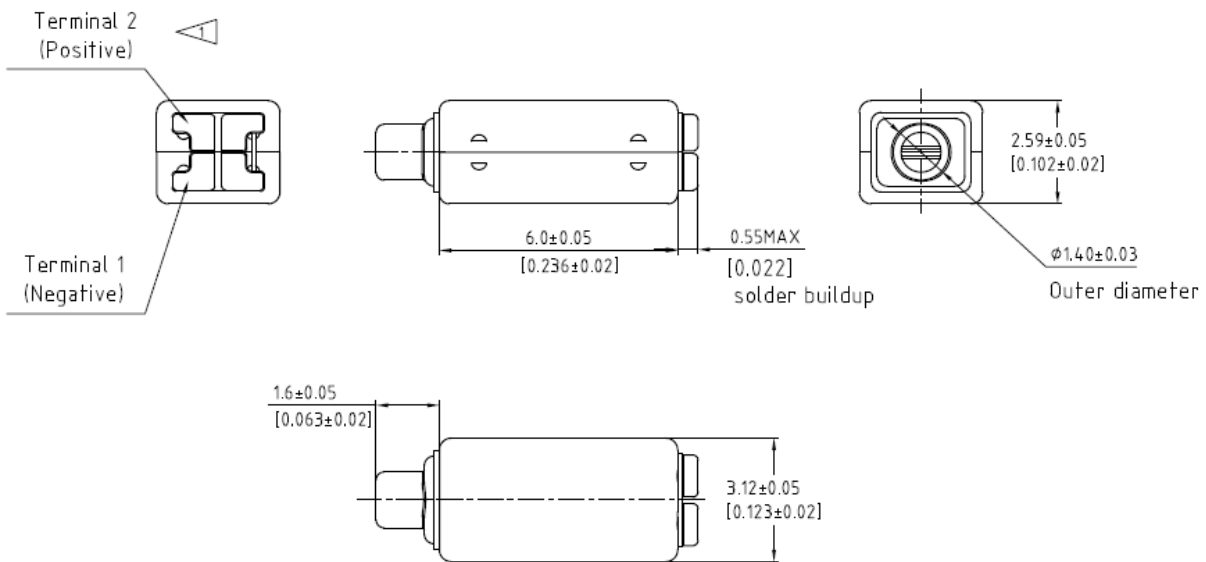
AGD-25-002

Advantages:

- Small size, Max. output achieve 127dB.
- Can be used in CIC, RIC and mini BTE.

Mechanical data:

- Dimensions:



Note:
 A Positive going signal at terminal 2, Relative to terminal 1, Cause a increase in pressure at the sound outlet.

- Port location: 12S
- Solder type: SAC305, and ROHS compliance

Electrical properties:

- Isolation: The case will be electrically isolated from internal coil
- DCR and impedance:

Item	specification
DC resistance	25Ω ± 10%
Imp@1 kHz	32Ω ± 15%

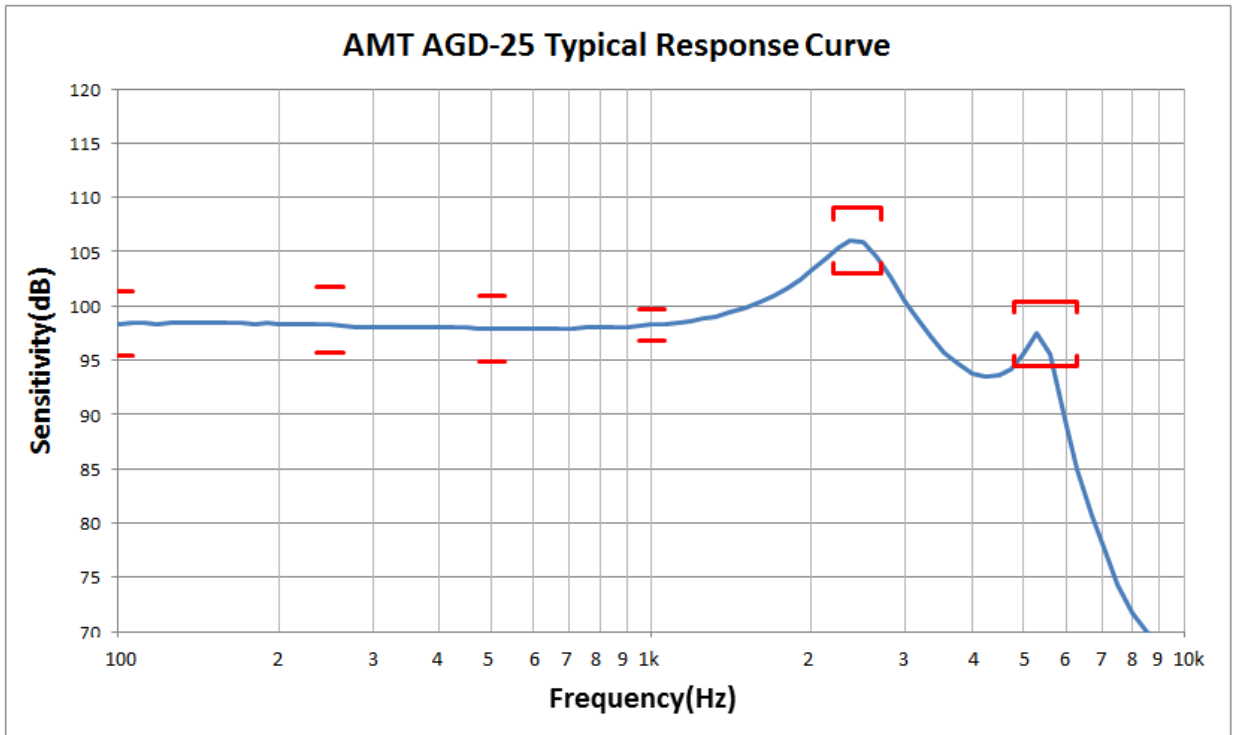
AGD-25-002

Acoustic specification:

1, Test condition

- 1.1 Driver: CV 100mVrms
- 1.2 Tube and cavity: 10mm*dia1.0mm tube into 2CC coupler
- 1.3 Source requirements: source impedance <1ohm.

2, Typical response curve and specification:



Specification	Frequency(Hz)	Minimum	Nominal	Maximum
Sensitivity	100	95	98	101
Sensitivity	250	94.5	98	101.5
Sensitivity	500	95	98	101
Sensitivity	1000	96.5	98	99.5
Peak 1	2200-2700	103	106	109
Peak 2	4500-6300	94	97	100

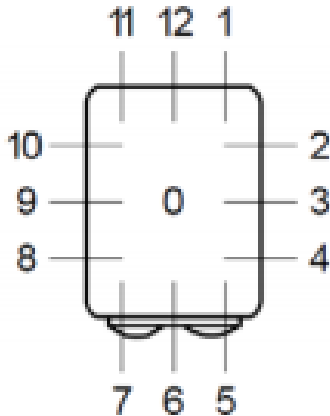
3, Distortion specification:

Frequency(Hz)	Drive (Vrms)	Limit (%)
1/3 Peak 1	0.10	5%
1/2 Peak 1	0.10	5%

AGD-25-002

Port location explanation:

- Example 12S, 12 indicates the port location, S indicates tube on the centerline, details refer to below:



Port detail code:

N – no tube

B – tube away from the cover

C – tube near the cover

S – tube on the centerline

T – port on Top surface

O – other situation, check the drawing

Storage and operating requirements:

- Follow below table:

Item	Temperature (°C)	Humidity (%RH)	barometric pressure (hPa)
Storage	-40 ~ 63	10 ~ 60	500 ~ 1060
Operating/test	15 ~ 30	45 ~ 85	860 ~ 1060
Judgment	18 ~ 22	60 ~ 70	860 ~ 1060

Website: www.china-armature.com

Office Tel: (+86) 0519-81882133

Mail box: sales@china-armature.com

Address: No.7 Lanxiang Road economic development zone
Wujin district Changzhou City China