

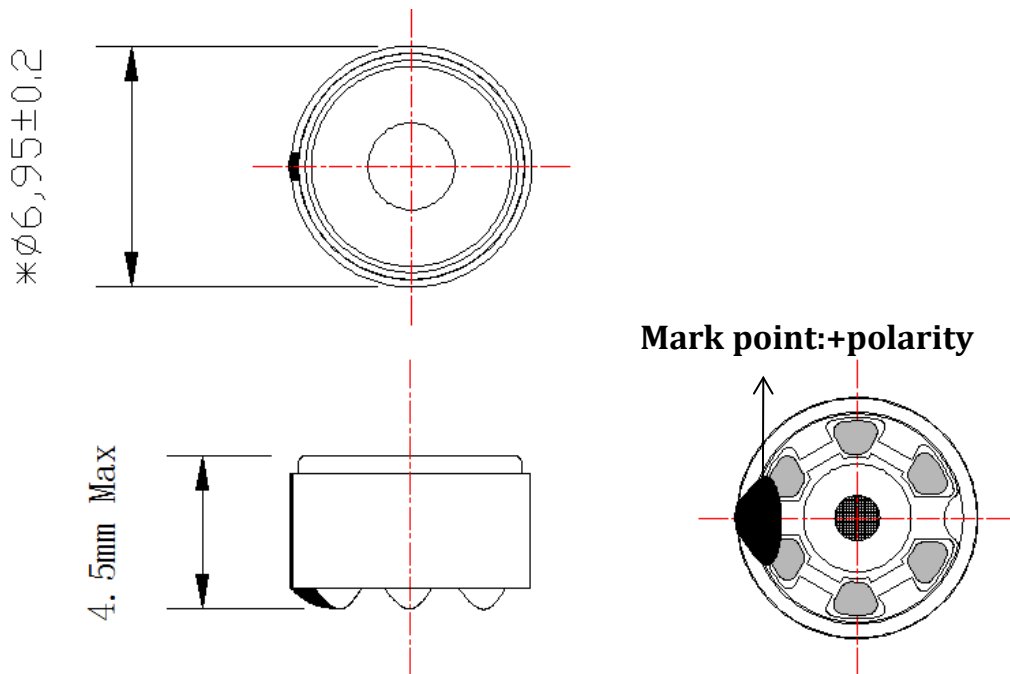
Y070037-032-S01

Advantages:

- Small size, high sensitivity.
- Can be used in Earphone.

Mechanical data:

- Dimensions:



Electrical properties:

- **Isolation:** The case will be electrically isolated from internal coil
- **DCR and impedance:**

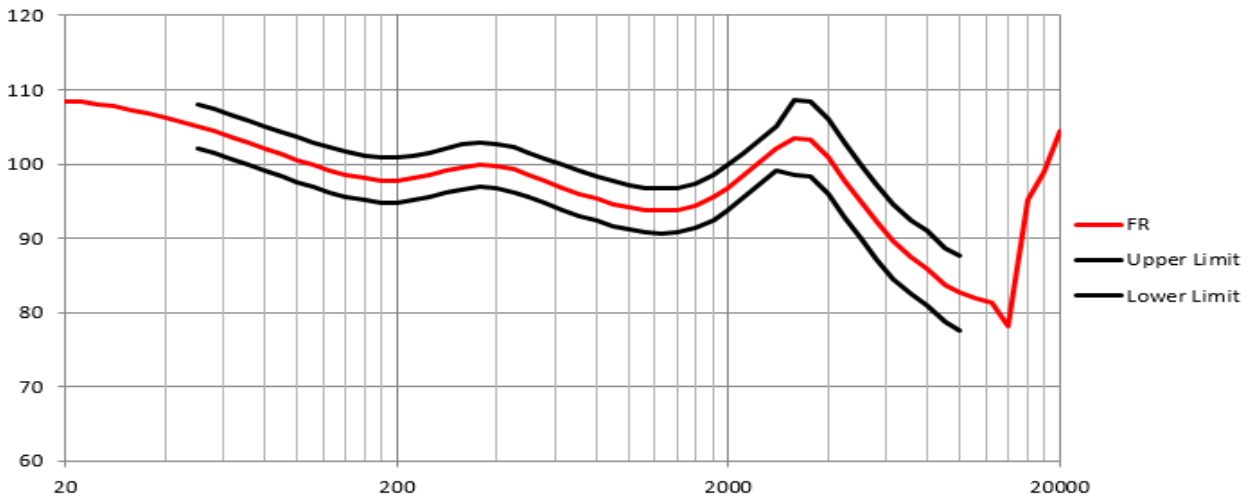
Item	specification
DC resistance	32Ω ± 10%

Y070037-032-S01

Acoustic specification:

1, Test condition

- 1.1 Test voltage: DC 179mVrms
- 1.2 Test fixture: IEC318Ear
- 1.3 Source requirements: source impedance <1ohm.



Follow golden sample

Frequency (Hz)	50~100	100~3000	3000~10000
Upper (dB)	3	3	5
Frequency (Hz)	100	250	5000
Lower (dB)	-3	-3	-5

Levels (1khz Sensitivity)

Levels	A	B	C	Due to machine and test deviation, two adjacent levels are allowed to jump, with a maximum of 1dB
1khz Sensitivity (dB)	97~95	95~93	93~91	

2, Distortion specification:

Frequency (Hz)	50	300	301	2000	2001	10000
Upper (%)	2	2	4	4	2	2

Y070037-032-S01

Storage and operating requirements:

- Follow below table:

Item	Temperature (°C)	Humidity (%RH)	barometric pressure (hPa)
Storage	-40 ~ 63	10 ~ 60	500 ~ 1060
Operating/test	15 ~ 30	45 ~ 85	860 ~ 1060
Judgment	18 ~ 22	60 ~ 70	860 ~ 1060

Website: www.china-armature.com

Office Tel: (+86) 0519-81882133

Mail box: sales@china-armature.com

Address: No.7 Lanxiang Road economic development zone
Wujin district Changzhou City China