

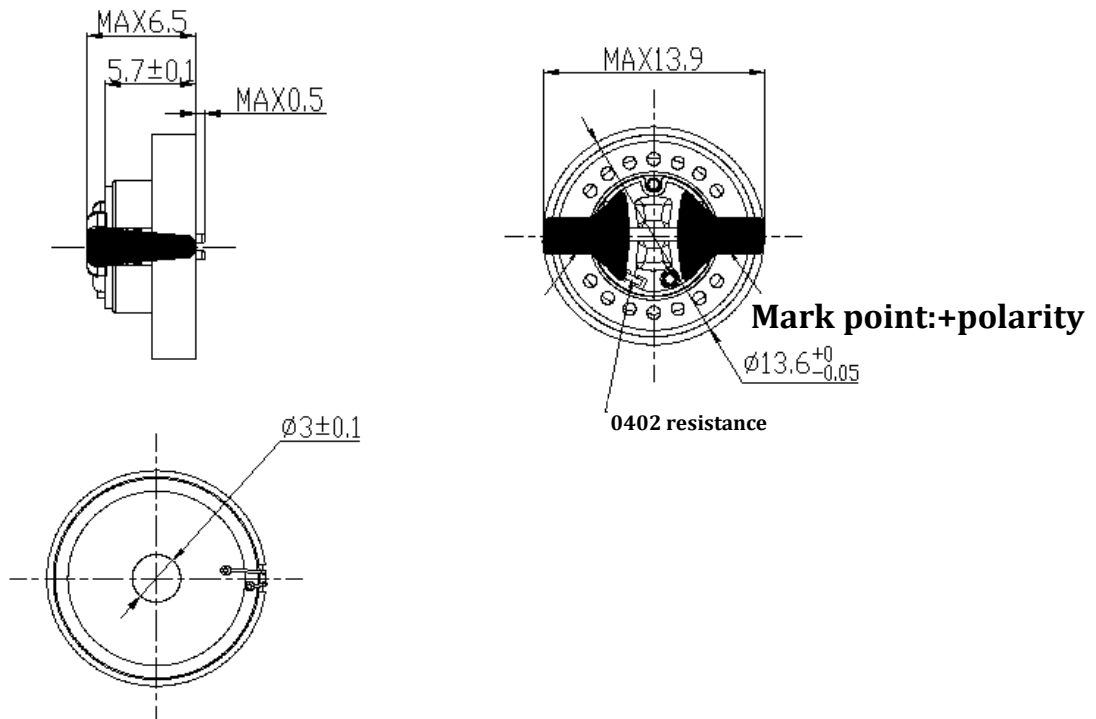
# Y136061-032-S01

## Advantages:

- Dynamic+Piezo, better high frequency.
- Can be used in Earphone.

## Mechanical data:

- Dimensions:



## Electrical properties:

- Isolation: The case will be electrically isolated from internal coil
- DCR and impedance:

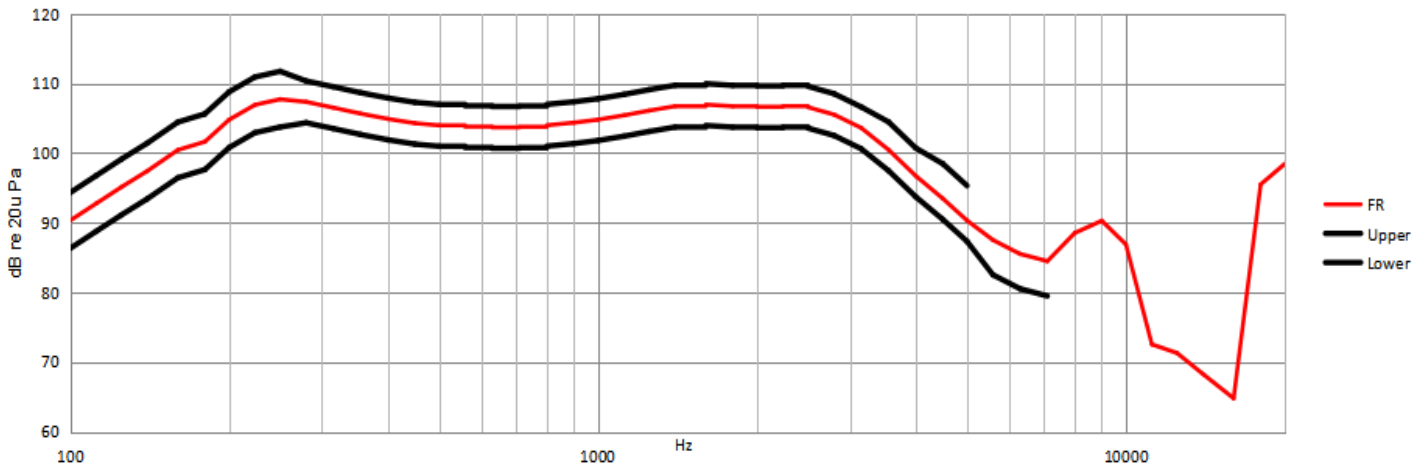
Item	specification
DC resistance	32Ω ± 10%

# Y136061-032-S01

## Acoustic specification:

### 1, Test condition

- 1.1 Test voltage: DC 179mVrms
- 1.2 Test fixture: IEC318Ear
- 1.3 Source requirements: source impedance <1ohm.



**Follow golden sample**

Frequency (Hz)	100	250	3150	4000	5000	
Upper (dB)	4	4	3	4	5	
Frequency (Hz)	100	250	5000	5600	6300	7100
Lower (dB)	-4	-4	-3	-4	-5	-5

**Levels (1kHz Sensitivity)**

Levels	A	B	C	
1kHz Sensitivity (dB)	107~105	104.9~103	102.9~101	Due to machine and test deviation, two adjacent levels are allowed to jump, with a maximum of 1dB

### 2, Distortion specification:

Frequency(Hz)	300	500	600	800	10000
Limits(%)	30	10	6	3	3

# Y136061-032-S01

## Storage and operating requirements:

- Follow below table:

Item	Temperature (°C)	Humidity (%RH)	barometric pressure (hPa)
Storage	-40 ~ 63	10 ~ 60	500 ~ 1060
Operating/test	15 ~ 30	45 ~ 85	860 ~ 1060
Judgment	18 ~ 22	60 ~ 70	860 ~ 1060

Website: [www.china-armature.com](http://www.china-armature.com)

Office Tel: (+86) 0519-81882133

Mail box: [sales@china-armature.com](mailto:sales@china-armature.com)

Address: No.7 Lanxiang Road economic development zone  
Wujin district Changzhou City China